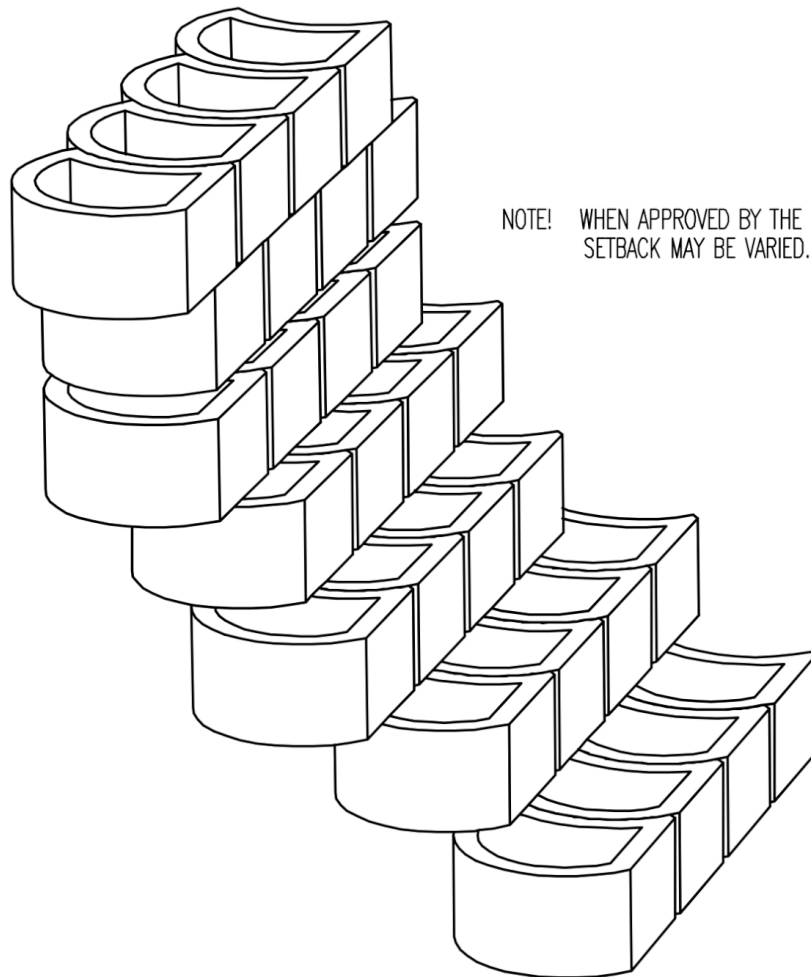


ALWAYS ENSURE THAT
BLOCKS ABUT HARD
AGAINST EACH OTHER

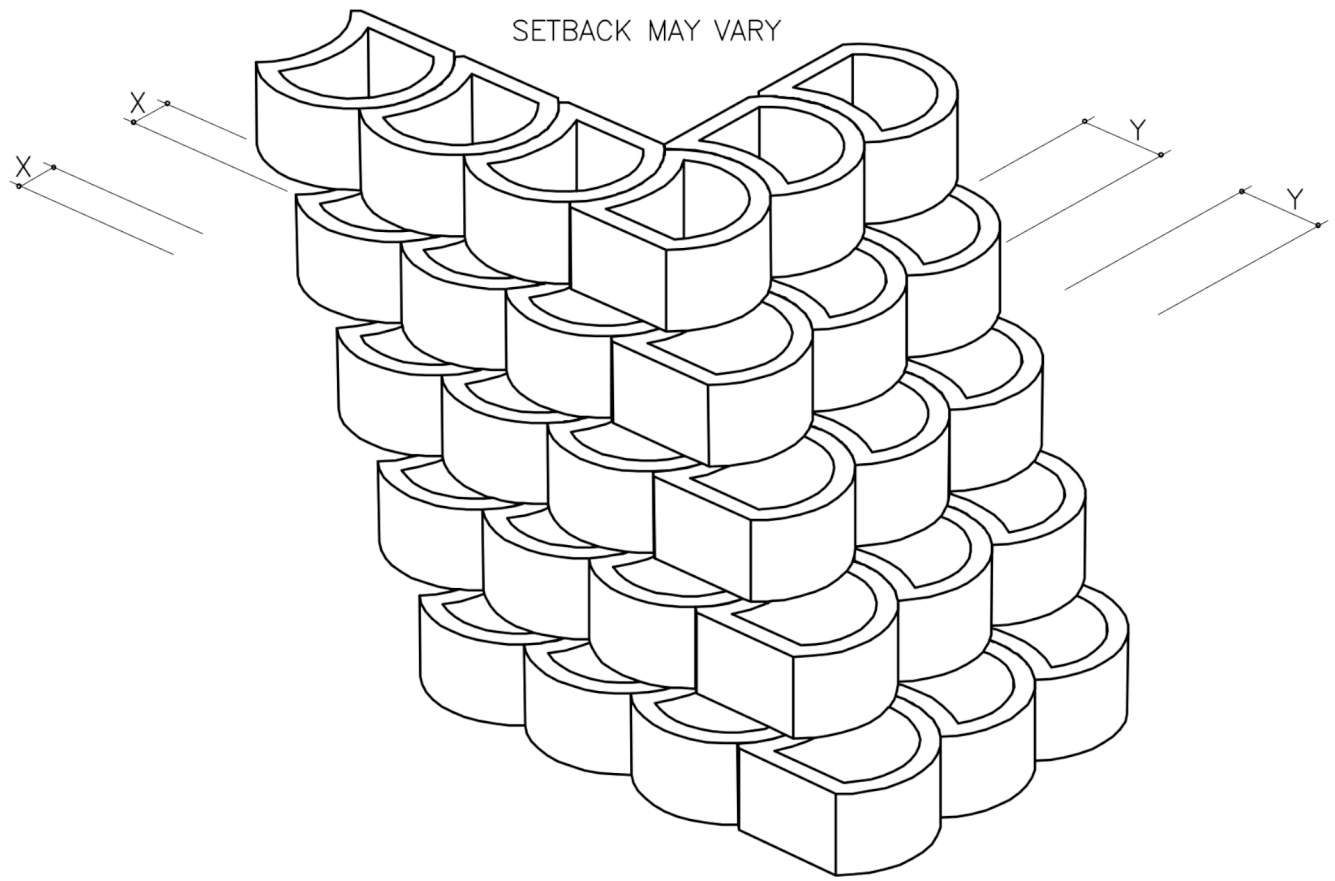
SHARP OR WIDE CONCAVE OR CONVEX CORNERS & CURVES



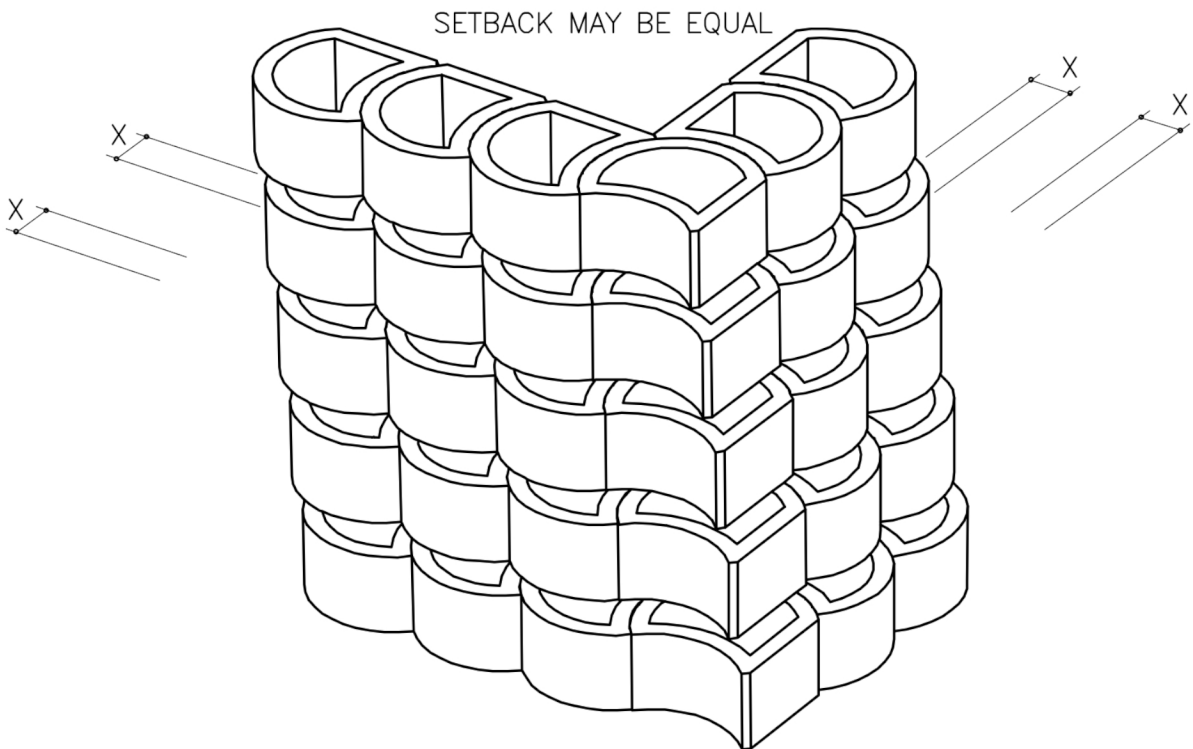
NOTE! WHEN APPROVED BY THE ENGINEER,
SETBACK MAY BE VARIED.

FORMAL APPEARANCE

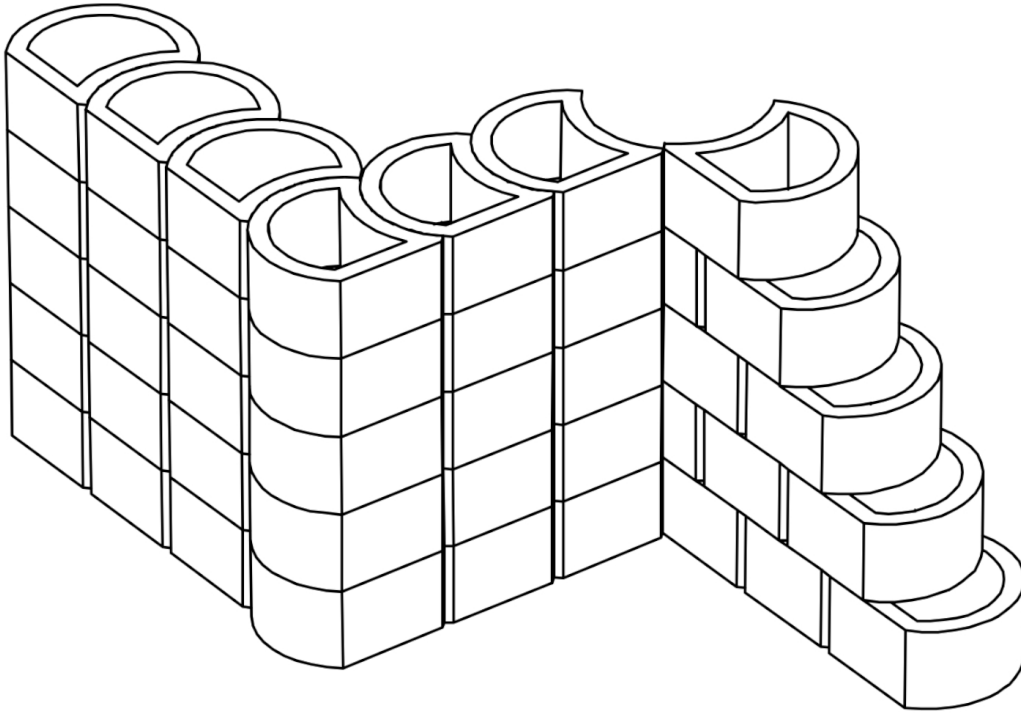
ALSO SUITABLE FOR SEATING ARRANGEMENTS



CORNER DETAIL 1



CORNER DETAIL 2



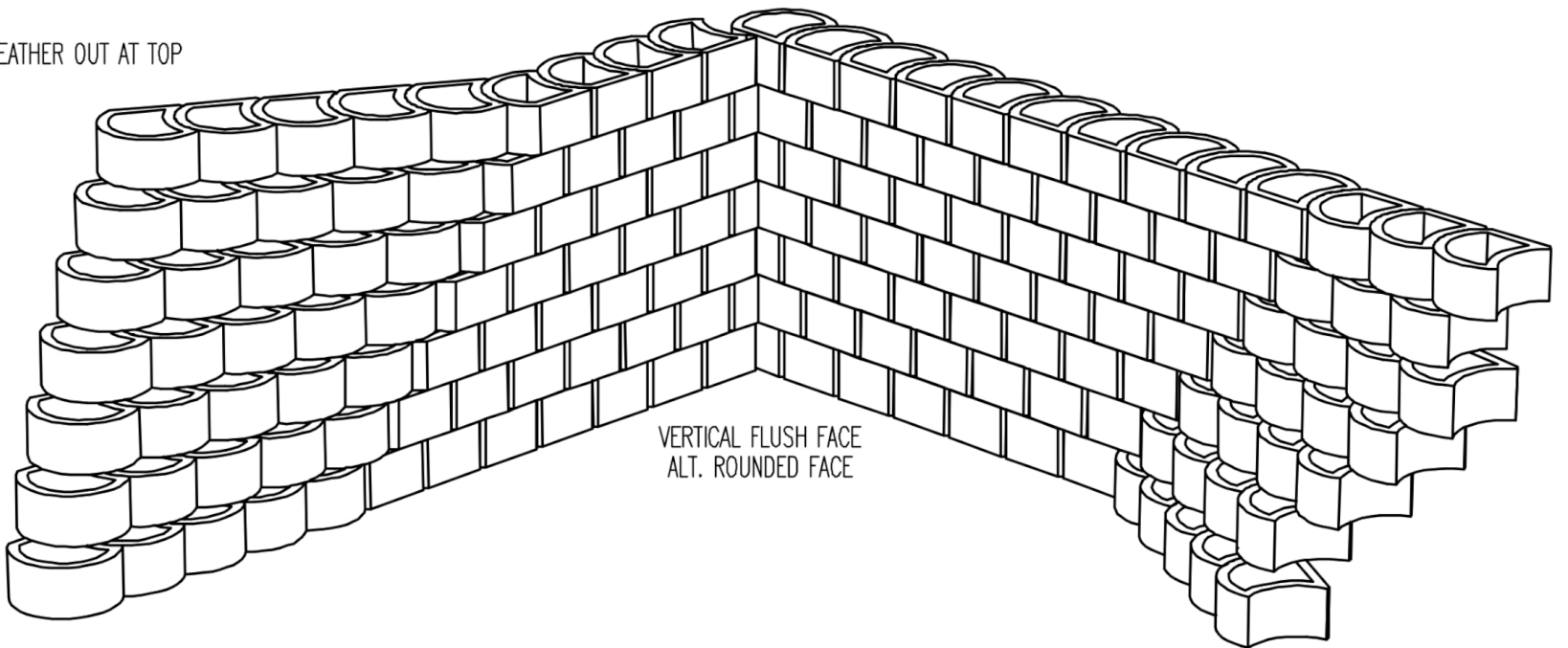
STACK BOND

VERTICAL

STRETCHER BOND

VERTICAL

FEATHER OUT AT TOP



VERTICAL FLUSH FACE
ALT. ROUNDED FACE

FEATHER OUT AT BOTTOM

INTERNAL VERTICAL CORNER