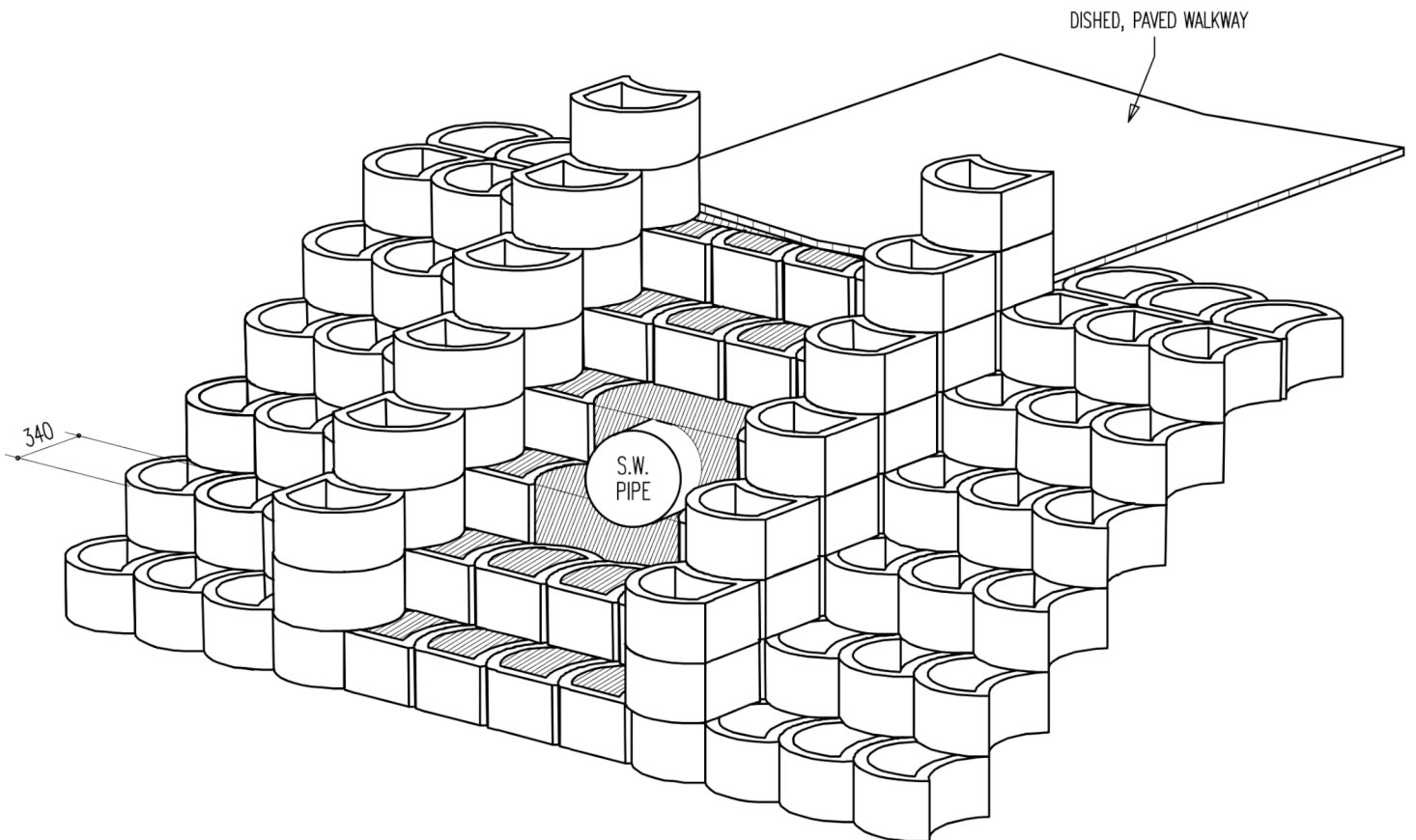


INTRICATE LANDSCAPING STRUCTURES SUCH AS THIS ONE CAN BE BUILT WITHOUT EVEN CUTTING A SINGLE UNIT. CUTTING BY MEANS OF AN ANGLE GRINDER SHOULD ONLY BECOME NECESSARY WHERE TERRAFORCE WALLS MEET WITH EXISTING RIGID STRUCTURES OR WHERE DRAINAGE OUTLET PIPES HAVE TO BE LED THROUGH SUCH WALLS AT CERTAIN INTERVALS



COMBINATION STORM WATER DISCHARGE & STEPS